

Birmingham-24"

Specification & Installation Guide

Features

- . Free Standing 24" Vanity: 23-7/16" W x 17-7/8" D x 32-5/8" H
- . Two Doors and One Soft Closing Drawer
- . Loft design gives you a timeless classic style bathroom.
- . Furniture grade water proof polyvinyl chloride board protected with several coats of polyurethane.
- . Two tempered safe glass insert dividers to keep your drawer more organized.
- . Compatible matching mirrors.
- . Compatible LED mirrors.
- . Compatible LED medicine cabinets with surface or recessed mount options.
- . Compatible ceramic sink top.
- . Compatible artificial stone sink top.

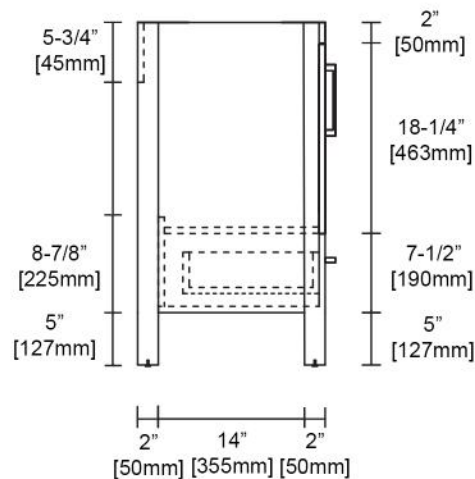
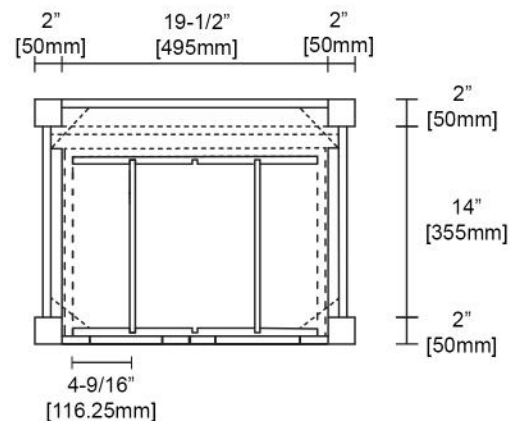
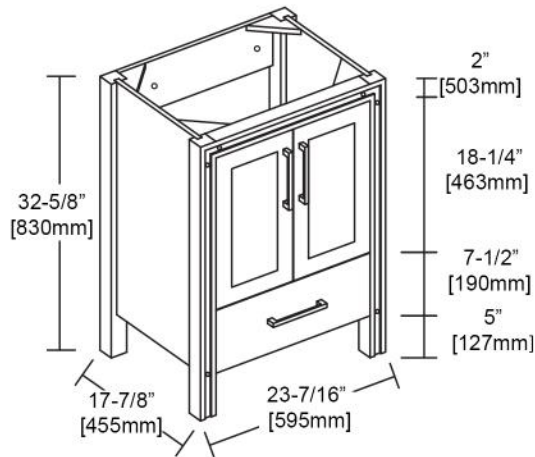
Colors/Finishes

- . Glossy White (V8024 24 01)
- . Metal Grey (V8024 24 15)

Package Dimension

- . 25-3/4" W x 19-7/8" D x 35" H

Gross Weight

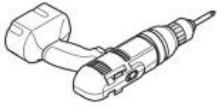


For clarification, please contact us at (7180-366-0088 or sales@BlossomUS.com)
All dimensions are approximate and subject to standard tolerance. Specifications subject to change without prior notice.

Birmingham-24"

Specification & Installation Guide

TOOLS REQUIRED



Electrical Drill



6mm Drill Bit



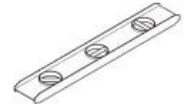
Pencil



Phillips
Screwdriver



Tape Measure



Level

PARTS INCLUDED



Screws x 3



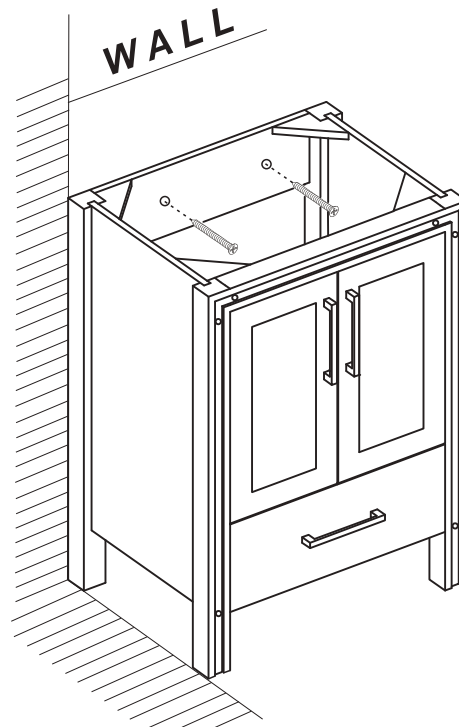
Anchors x 3

STEP 1

Secure the vanity

secured the vanity by using provided parts after determined left & right position and leveling.

Screws provided do not attach to all wall types, please consult an expert for the proper screws/bolts if necessary.



Birmingham-24"

Specification & Installation Guide

STEP 2

Install the sink top with silicone.

